

PALLET JACK WEIGHING SYSTEMS

OX Equipment
Beast of Burden



NTEP Approved Legal for Trade

Stainless Steel
Pallet Jack Scale



Pallet Jack Scale
Without Printer



Pallet Jack Scale
With Printer



Motorized
Pallet Jack Scale

Product	MODEL #	Fork Size (L x W)	Cap. x Accuracy*	Printer	Shipping Weight
Carbon Steel Pallet Jack	OXSP918N-5000	46" x 21"	5,000 x 1lb	No	350 lbs
Carbon Steel Pallet Jack	OXSP918W-5000 *	48" x 27"	5,000 x 1lb	No	350 lbs
Carbon Steel Pallet Jack	OXSP918P-5000	48" x 27"	5,000 x 1lb	Yes	360 lbs
Stainless Steel Pallet Jack	OXSP918SSW-5000	48" x 27"	3,300 x 1lb	No	380 lbs
Stainless Steel Pallet Jack	OXSP918SSP-5000	48" x 27"	3,300 x 1lb	Yes	360 lbs
Motorized Pallet Jack	OXSP918MW-5000	48" x 27"	3,300 x 1lb	No	480 lbs
Motorized Pallet Jack	OXSP918MP-5000	48" x 27"	3,300 x 1lb	Yes	490 lbs

*NTEP Versions: 2,500lb x 1lb or 5,000lb x 2lb

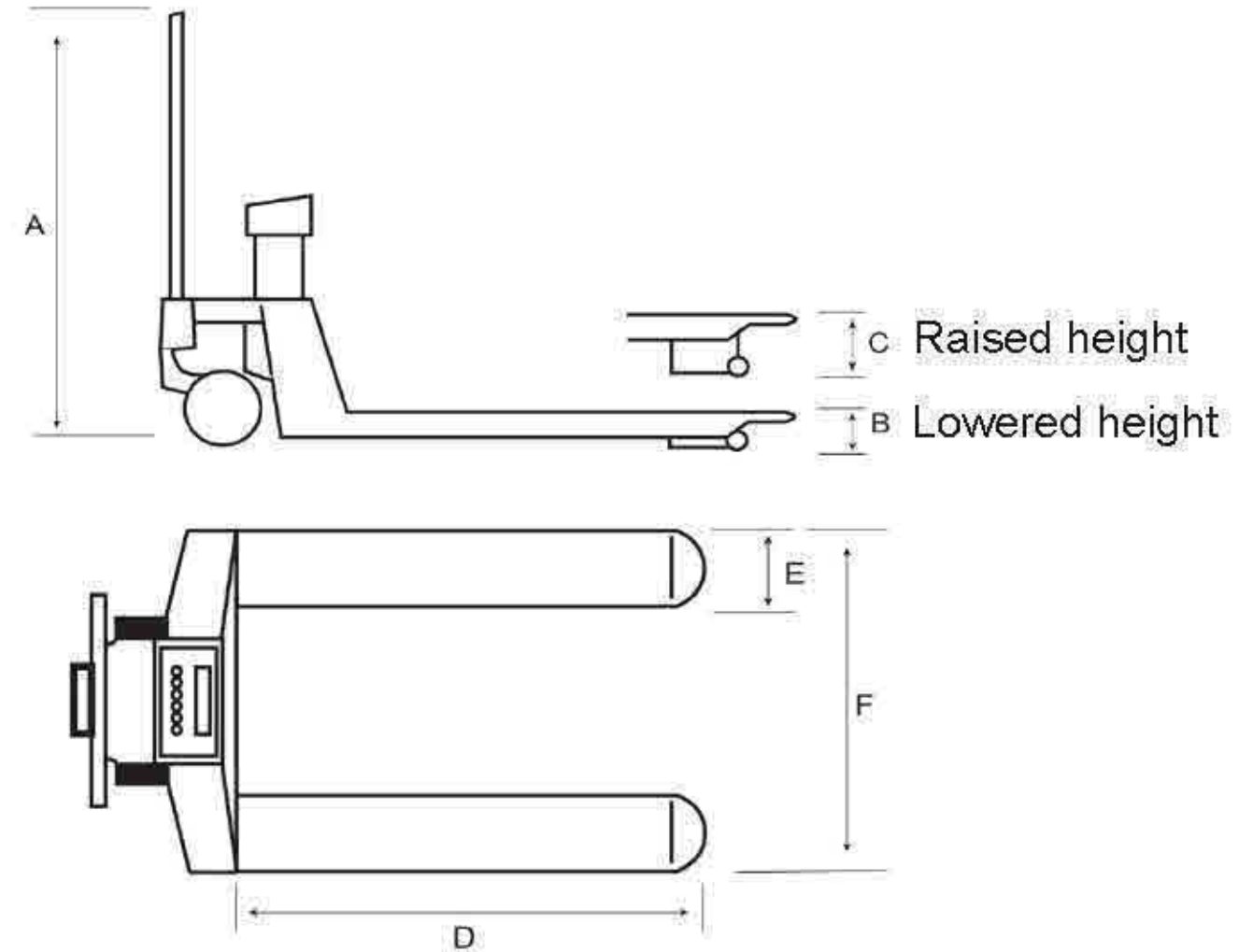
PALLET JACK WEIGHING SYSTEMS

OX Equipment
Beast of Burden

Having a scale built into your pallet jack will increase efficiency and productivity by eliminating the need to place your pallet on a scale to weigh, saving time and money. Scales Pallet Jack's are rugged, precise, efficient and cost effective. They are the ideal solution for mobile weighing.

FEATURES

- Unique and user friendly design
- Reinforced construction for heavy and long use
- Low-profile and tapered forks for easy entry into pallets
- Ergonomic full function handle for easy lifting, moving and weighing
- Effortless steering on flat or uneven surfaces
- Built-in NTEP approved load cells
- 120VAC 60 Hz AC adapter and rechargeable battery (operates up to 60 hours)
- Includes a built-in LCD display and optional thermal printer (P model)
- Units: lb and kg switchable
- Suitable for industrial pallets and crates



Product	A	B	C	D	E	F
Pallet Jack	45"	2.9"	7.5"	48"	7"	27"
Motorized Pallet Jack	45"	2.9"	7.5"	48"	7"	27"

ADDITIONAL FEATURES FOR MOTORIZED PALLET JACK

- Battery powered
- To charge it from empty, it takes 8 hours.
- If you use it continuously, it will last 5 hours. Standby life is 4 to 6 days.

Easy to use
Indicator with printer



Two wheel design gets stuck on wooden boards



Single wheel design helps prevent jack from getting stuck or breaking pallet compared to double wheeled designs



Small raised wheel inside for assistance rolling onto pallet

Super low 2.9" profile with tapered fronts for easy pallet entrance

